

PHYHOME



Making the world better.

GPON OLT

L8(8*PON/4*GE/4*10G SFP+)

www.comutelperu.com

Modelo FHL2100-8



GPON OLT

L8

Overview

El FHL2100-8 es una serie GPON OLT de caja 1U de alta densidad. Utiliza la tecnología comercial líder en la industria cuenta con chip para admitir completamente el estándar de tecnología ITU-T G.984.x y ITU-T G.988 GPON.

Puede realizar redes híbridas ONU de diferentes fabricantes y tiene buena interoperabilidad El sistema L8 tiene buena estabilidad y alta confiabilidad. es compatible múltiples modos de gestión como CLI, WEB y SNMP.

La gestión gráfica la interfaz es clara, amigable y fácil de usar. L8 proporciona 8 GPON descendentes puertos, puertos de enlace ascendente 4*1000Base-T y puertos de enlace ascendente SFP+ ópticos 4*10G, el puerto SFP+ con una función de expansión, que puede adaptarse a 1GE SFP o 10GE SFP+.L8

La tecnología avanzada industrial, con potentes servicios Ethernet y función QOS, compatible con SLA y DBA. La relación de división hasta 1:128, compatible con diferentes tipos de ONU en diferentes redes, minimizando las inversiones de los operadores.

La altura 1U puede ser fácil para instalar y mantener. Es una excelente opción para que los operadores desplieguen rápidamente FTTH redes.

Characteristics

- * Applicable to county and town level fiber optic network access and monitoring transmission, meets FTTH requirements to provide complete access to IP telephony, broadband data, IPTV, etc.
- * System Structure: Provide 8 downstream GPON ports, 4*1000Base-T up-link ports and 4*10GE optical SFP+ up-link ports.
- * The SFP+ port with an expansion function, which can adapt to 1GE SFP or 10GE SFP+.
- * System Capacity: 1:128 split ratio, full configuration supports up to 1024 GPON terminals.
- * Up-link Interface: Flexible design supports multiple types network interfaces, optical or electrical interfaces optional based on network conditions.
- * Supports dual power supply.
- * 1U device takes small space, low power consumption, which reduce the total cost.

Specification

General	
Item	L8
Switching capacity	118Gbps
Mac Address	64K
Ports	8*PON ports,4*10G SFP+,4*1000Base-T
Power redundancy	AC: Input 85~264V,47~63Hz DC: Input -36V~-75V
Maximum Power	70W
Outline dimensions (mm) (W*D*H)	440mm×312mm×44mm
Weight	≤5kg
Environmental requirements	Working temperature: -10°C~50°C Storage temperature:-40°C~85°C Relative humidity:5%~95%,no condensing

Product Features

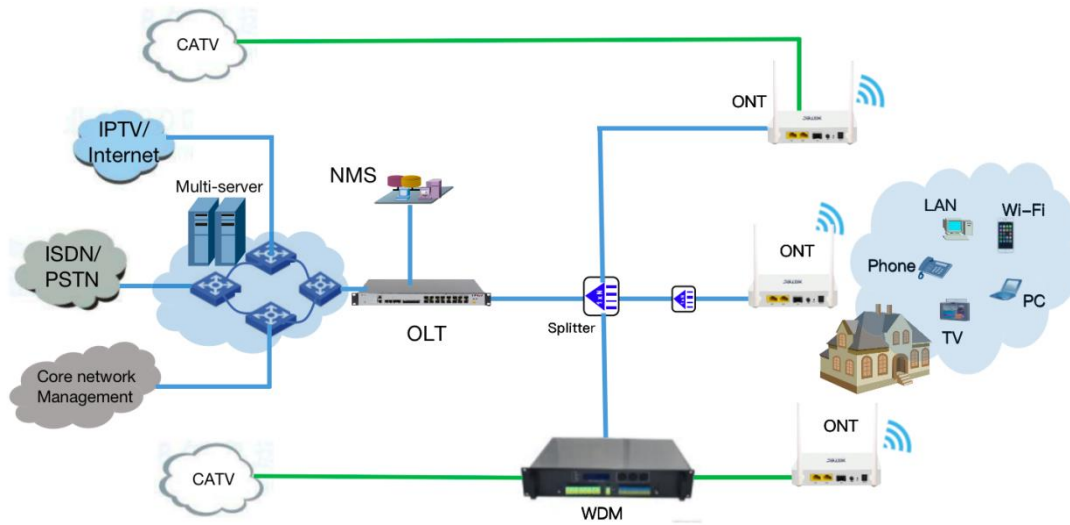
General	
Item	L8
GPON	Satisfy ITU -T G.984.x/ITU -T G.988 standard High splitter rate, each PON port supports

	<p>128*ONUs</p> <p>Maximum transmission distance of 20KM</p> <p>Support uplink FEC, downlink FEC(Forward Error Correction)</p> <p>ONU identifier authentication:</p> <p>SN/SN+PASSWD/LOID</p> <p>Bandwidth allocation mechanism</p> <p>5 types of T-CONT bandwidth</p> <p>Static Bandwidth Allocation</p> <p>Dynamic Bandwidth Allocation</p>
MAC	<p>MAC Black Hole</p> <p>Port MAC Limit</p>
VLAN	<p>4K VLAN entries</p> <p>Port-based/MAC-based/IP subnet-based VLAN</p> <p>Port-based QinQ and Selective QinQ(Stack VLAN)</p> <p>VLAN Swap and VLAN Remark and VLAN Translate</p> <p>Based on ONU service flow VLAN add, delete, replace</p>
L2 Protocol	<p>STP, RSTP, MSTP</p>
Port	<p>Bi-directional bandwidth control</p> <p>Static link aggregation and LACP(Link Aggregation Control Protocol)</p> <p>Port mirroring and traffic mirroring</p>
L3 Protocol	<p>OSPF, IS-IS, BGP</p>
User Security	<p>Anti-ARP Spoofing</p> <p>Anti-ARP Flooding</p> <p>IP Source Guard create IP+VLAN+MAC+Port binding</p> <p>Port Isolation</p> <p>MAC address binds to port and port MAC address filtration</p> <p>IEEE 802.1x and AAA/Radius authentication</p> <p>DHCP anti-attack, flood attack automatic suppression</p> <p>ONU isolation control</p>
Device security	<p>Anti-DOS attack(such as ARP, Syn flood, Smurf, ICMP attack),ARP detection, worm and Ms-blaster worm attack</p> <p>SSHv2 Secure Shell</p> <p>SNMP v3 encrypted management</p> <p>Security IP login through Telnet</p>

	<p>Hierarchical management and password protection of users</p> <p>User-based MAC and ARP traffic examination</p> <p>Restrict ARP traffic of each user and force-out user with abnormal ARP traffic</p> <p>Dynamic ARP table-based binding</p> <p>Supports IP+VLAN+MAC+Port binding</p> <p>L2 to L7 ACL flow filtration mechanism on the 80 bytes of the head of user-defined packet</p> <p>Port-based broadcast/multicast suppression and auto-shutdown risk port</p> <p>URPF to prevent IP address counterfeit and attack</p> <p>DHCP Option82 and PPPOE+ upload user's physical location</p> <p>Plain-text authentication of OSPF/RIPv2 and MD5 cartography authentication</p>
Network security	
IPv4	<p>ARP Proxy</p> <p>DHCP Relay</p> <p>DHCP Server</p> <p>Static route</p>
IPv6	<p>ICMPv6</p> <p>ICMPv6 redirection</p> <p>DHCPv6</p> <p>ACLv6</p> <p>Configured Tunnel</p> <p>6to4 tunnel</p> <p>IPv6 and IPv4 Tunnels</p>
ACL	<p>Standard and extended ACL</p> <p>Time Range ACL</p> <p>Packet filter providing filtering based on source/destination MAC address, source/destination IP address, port, protocol, VLAN, VLAN range, MAC address range, or invalid frame. System supports concurrent identification at most 50 service traffic</p> <p>Support packet filtration of L2~L7 even deep to 80 bytes of IP packet head</p>
QoS	<p>Rate-limit to packet sending/receiving speed of port or self-defined flow and provide general flow monitor and two-speed tri-color monitor of self-defined flow</p> <p>Priority remark to port or self-defined flow and provide 802.1P, DSCP priority and Remark</p>

	<p>CAR(Committed Access Rate),Traffic Shaping and flow statistics</p> <p>Packet mirror and redirection of interface and self-defined flow</p> <p>Super queue scheduler based on port and self-defined flow. Each port/flow supports 8 priority queues and scheduler of SP,WRR and SP+WRR.</p> <p>Congestion avoid mechanism, including Tail-Drop and WRED</p>
Multicast	<p>IGMPv1/v2/v3</p> <p>IGMPv1/v2/v3 Snooping</p> <p>IGMP Filter</p> <p>MVR and cross VLAN multicast copy</p> <p>IGMP Fast leave</p> <p>IGMP Proxy</p> <p>MLDv2/MLDv2 Snooping</p>
Loop protection	<p>EAPS and GERP(recover-time<50ms)</p> <p>Loop-back detection</p>
Link protection	<p>Flex-Link(recover-time<50ms)</p> <p>RSTP/MSTP(recover-time<1s)</p> <p>LACP(recover-time<10ms)</p>
Device protection	<p>Double fault-tolerant backup of host program and configuration files</p> <p>1+1 power hot backup</p>
Network maintenance	<p>Telnet-based statistics</p> <p>RFC3176 sFlow</p> <p>LLDP</p> <p>RFC 3164 BSD syslog Protocol</p> <p>Ping and Traceroute</p>
Device management	<p>Web management</p> <p>Console/Telnet, Command-line interface (CLI)</p> <p>Upgrade via FTP</p> <p>System configuration with SNMPv1/v2/v3</p> <p>RMON(Remote Monitoring)</p> <p>Support SNTP network time protocol</p>

Application



Importado y Distribuido en Perú por Comutel Perú S.A.C

COMUtel